

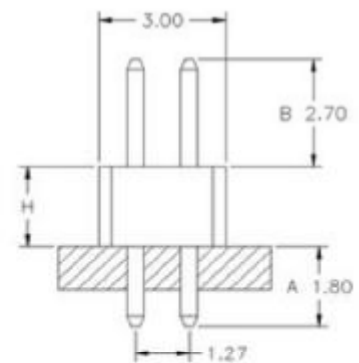
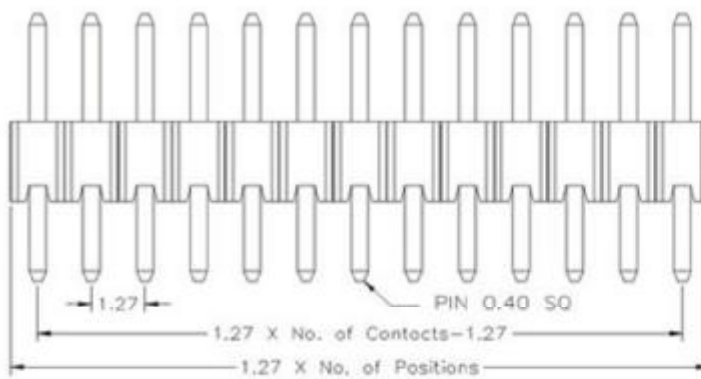
# 深圳市永连旺电子有限公司

## Shenzhen Yonglianwang Electronic CO., LTD.

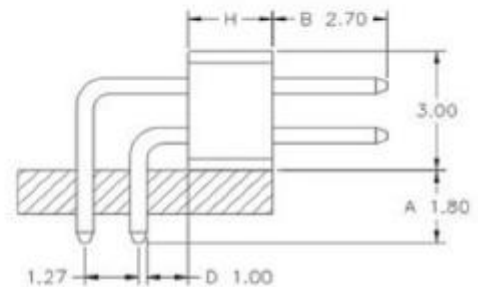
### 1.27mm Pin Header, Dual Row, Straight/Right Angle

#### SPECIFICATIONS

Current Rating : 1AMP  
 Operation Temperature: -40° C to +105° C  
 Contact Resistance : 20mΩ Max.  
 Insulation Resistance: 1000MΩ Min.  
 Withstanding Voltage : AC 500V  
 Insulator Material : Polyester (UL94V-0)  
 Standard: Nylon-6T  
 Contact Material : Brass  
 Contact plating : Au or Sn Over 50u\* Ni



PCB LAYOUT



#### Ordering Information

1 3 20	1 2 XX	G0	S	XXX 01
Plastics Height	No. of Pins Per Row	Contact Plating	Connector Type	Pin Length
06=0.65mm 16=1.6mm 20=2.0mm 25=2.54mm	01~50	SN : Tin G0 : Gold Flash G2 : 5u* Gold G3 : 10u* Gold G4 : 15u* Gold G5 : 30u* Gold S0 : Gold Flash/Tin Standard: G0	S=Straight R=Right Angle	XXX=A+B+H XXX=A+D+H+B+0.86

Tel : 86-0755-27367782

Fax : 86-0755-27382610

Http://www.szyLconn.com

E-mail:sales@szyLconn.com

地址:广东省深圳市宝安区福永街道兴围第一工业区兴华路北第17幢