

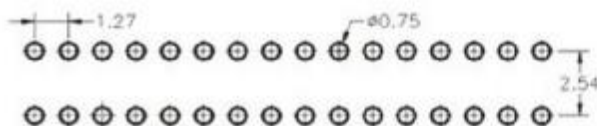
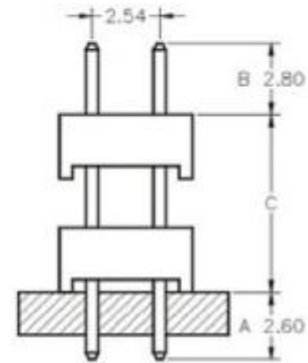
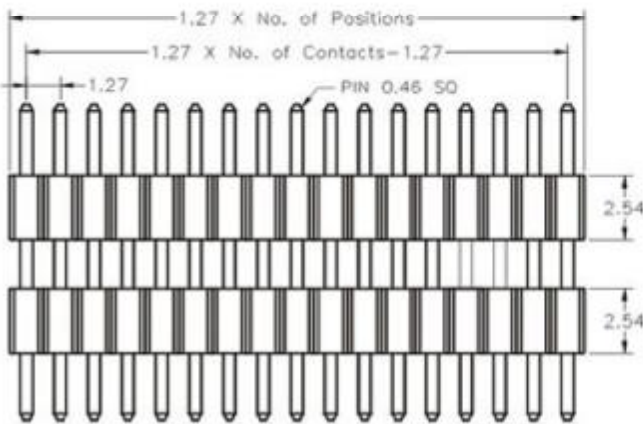
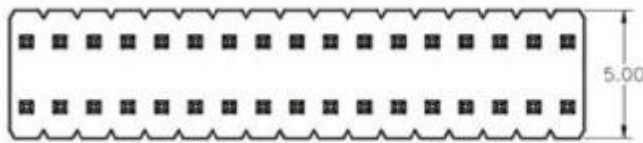
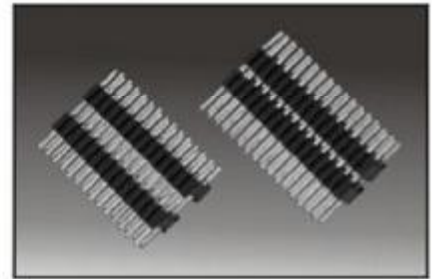
# 深圳市永连旺电子有限公司

Shenzhen Yonglianwang Electronic CO., LTD.

## 1.27\*2.54mm Board Spacer, Dual Row, Straight

### SPECIFICATIONS

Current Rating : 1AMP  
 Operation Temperature: -40° C to +105° C  
 Contact Resistance : 20mΩ Max.  
 Insulation Resistance: 1000MΩ Min.  
 Withstanding Voltage : AC 500V  
 Insulator Material : Polyester (UL94V-0)  
 Standard: Nylon-6T  
 Contact Material : Brass  
 Contact plating : Au or Sn Over 50u" Ni



PCB LAYOUT

### Ordering Information

1 4 25	—	2	2	<u>XX</u>	<u>G0</u>	S	<u>XXX</u>	01
		No. of Pins Per Row		Contact Plating		Pin Length		
		01~50		SN : Tin		XXX=A+B+C		
				G0 : Gold Flash				
				G2 : 5u" Gold				
				G3 : 10u" Gold				
				G4 : 15u" Gold				
				G5 : 30u" Gold				
				S0 : Gold Flash/Tin				
				Standard: G0				

Tel : 86-0755-27367782

Fax : 86-0755-27382610

Http : //www.szyLconn.com

E-mail : sales@szyLconn.com

地址 : 广东省深圳市宝安区福永街道兴围第一工业区兴华路北第17幢