

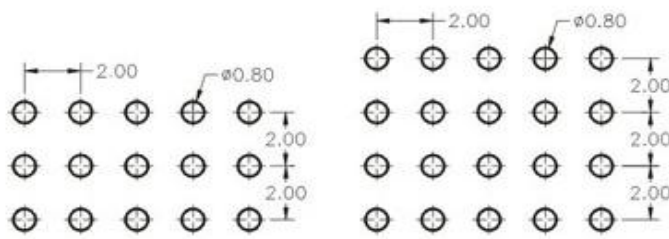
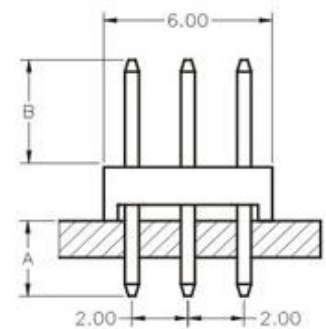
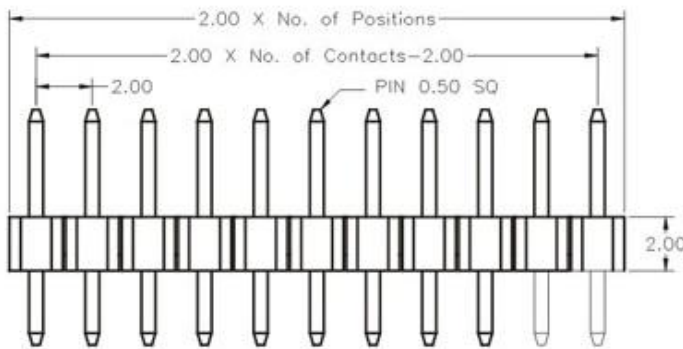
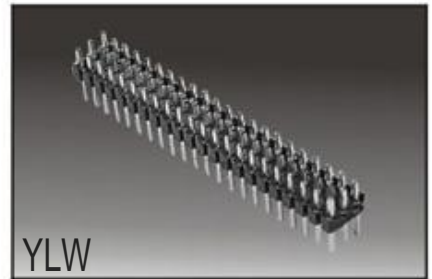
深圳市永连旺电子有限公司

Shenzhen Yonglianwang Electronic CO.,LTD.

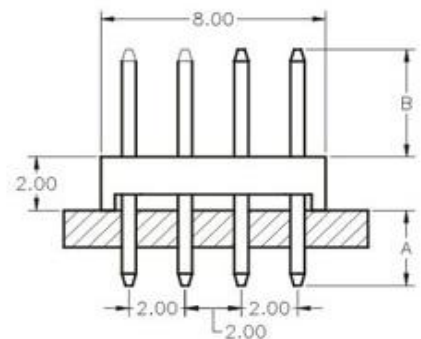
2.00mm Pin Header, Triple/Quad Row, Straight

SPECIFICATIONS

Current Rating : 1.5AMP
 Operation Temperature: -40° C to +105° C
 Contact Resistance : 20mΩ Max.
 Insulation Resistance: 1000MΩ Min.
 WithstandING Voltage : AC 500V
 Insulator Material : Polyester (UL94V-0)
 Standard: Nylon-66
 Contact Material : Brass
 Contact plating : Au or Sn over 50u" Ni



PCB LAYOUT



Ordering Information

| | | | | | | | | |
|--------|---|----------------------------|---------------------|---|--------------|---|-----|----|
| 1 2 20 | — | 1 | 3 | XX | G0 | S | XXX | 01 |
| | | No. of Rows | No. of Pins Per Row | Contact Plating | Pin Length | | | |
| | | 3=Triple Row 4=Quad Row | 01~40 | SN : Tin G0 : Gold Flash G2 : 5u" Gold G3 : 10u" Gold G4 : 15u" Gold G5 : 30u" Gold S0 : Gold Flash/Tin Standard: G0 | XXX=A+B+2.00 | | | |

Tel : 86-0755-27367782

Fax : 86-0755-27382610

Http://www.szyLconn.com

E-mail : sales@szyLconn.com

地址: 广东省深圳市宝安区福永街道兴围第一工业区兴华路北第17幢