

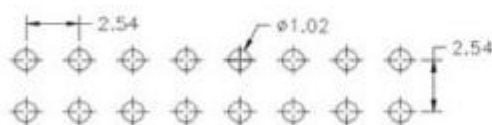
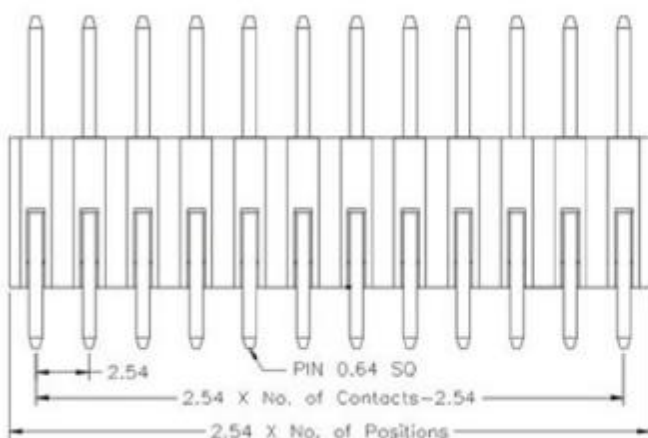
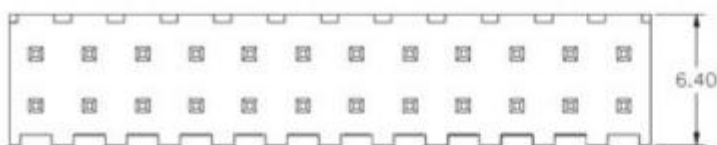
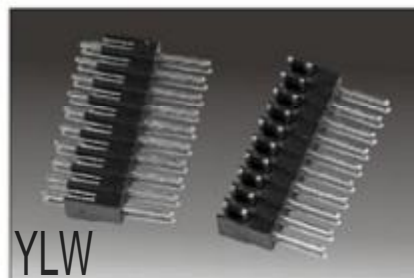
深圳市永连旺电子有限公司

Shenzhen Yonglianwang Electronic CO.,LTD.

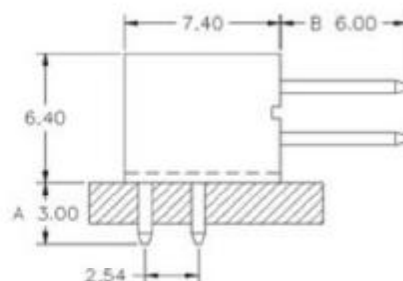
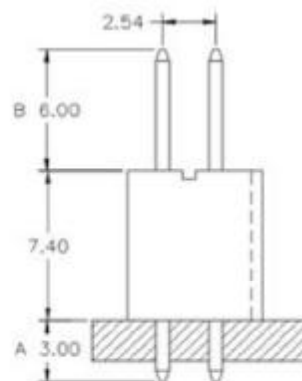
2.54mm Pin Header, Dual Row, Straight/Right Angle

SPECIFICATIONS

Current Rating : 3AMP
 Operation Temperature: -40° C to +105° C
 Contact Resistance : 20mΩ Max.
 Insulation Resistance: 1000MΩ Min.
 Withstanding Voltage : AC 1000V
 Insulator Material : Polyester (UL94V-0)
 Standard: PBT
 Contact Material : Brass
 Contact plating : Au or Sn over 50u" Ni



PCB LAYOUT



Ordering Information

1 1 74	—	1	2	XX	G0	S	XXX	01
		No. of Pins Per Row		Contact Plating		Connector Type		Pin Length
		01~40		SN : Tin G0 : Gold Flash G2 : 5u" Gold G3 : 10u" Gold G4 : 15u" Gold G5 : 30u" Gold S0 : Gold Flash/Tin Standard: G0		S= Straight R= Right Angle		XXX=A+B+7.40 XXX=A+B+5.60

Tel: 86-0755-27367782

Fax: 86-0755-27382610

Http://www.szyLconn.com

E-mail: sales@szyLconn.com

地址: 广东省深圳市宝安区福永街道兴围第一工业区兴华路北第17幢