

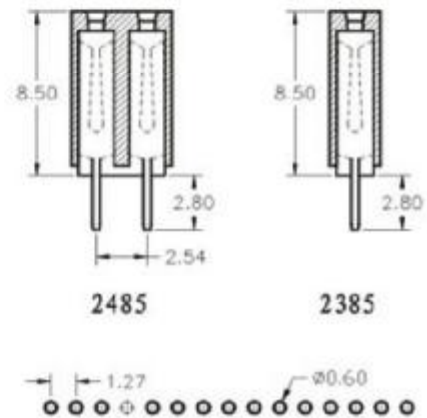
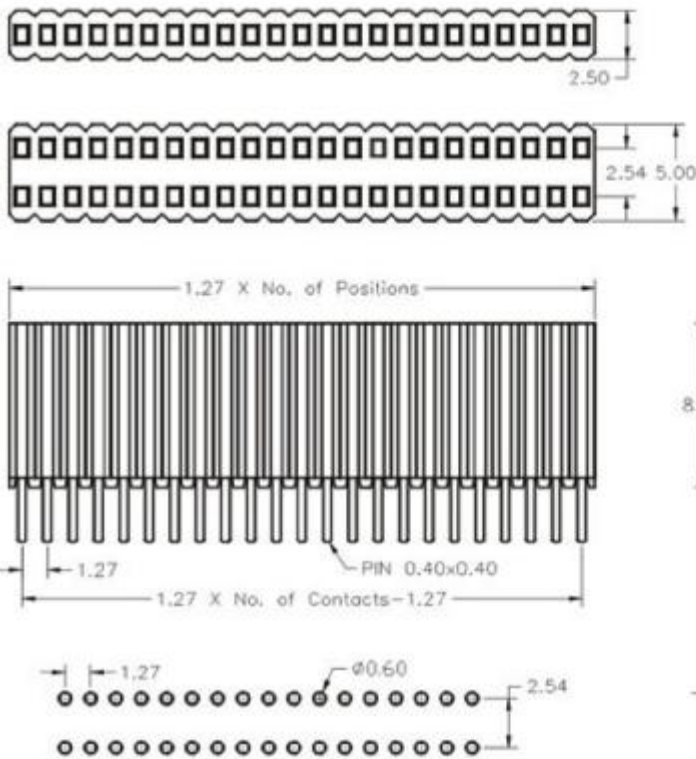
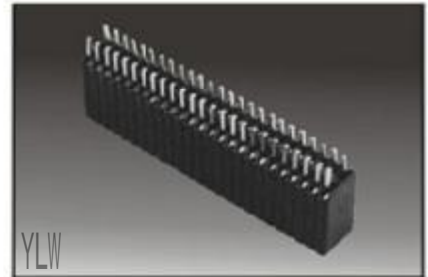
# 深圳市永连旺电子有限公司

## Shenzhen Yonglianwang Electronic CO.,LTD.

### 1.27\*2.54mm Female Header, Single/Dual Row, Straight

#### SPECIFICATIONS

Current Rating : 1AMP  
 Operation Temperature: -40° C to +105° C  
 Contact Resistance : 20mΩ Max.  
 Insulation Resistance: 1000MΩ Min.  
 Withstanding Voltage : AC 500V  
 Insulator Material : Polyester (UL94V-0)  
 Standard: Nylon-6T  
 Contact Material : Phosphor Bronze  
 Contact plating : Au or Sn Over 50u" Ni



#### PCB LAYOUT

#### Ordering Information

2 4 (3) 85 — 2  
 No. of Rows  
 1=Single Row  
 2=Dual Row

XX  
 No. of Pins Per Row  
 01~50

S G0  
 Contact Plating  
 G0 : Gold Flash  
 G3 : 10u" Gold  
 G4 : 15u" Gold  
 G5 : 30u" Gold  
 S0 : Gold Flash/Tin  
 S3 : 10u" Gold/Tin  
 S4 : 15u" Gold/Tin  
 Standard: G0

A Y N 01  
 Material Type  
 A: PBT  
 B: Nylon-66  
 C: Nylon-6T  
 D: LCP

Tel : 86-0755-27367782

Fax : 86-0755-27382610

Http : //www.szyLconn.com

E-mail : sales@szyLconn.com

地址 : 广东省深圳市宝安区福永街道兴围第一工业区兴华路北第17幢