

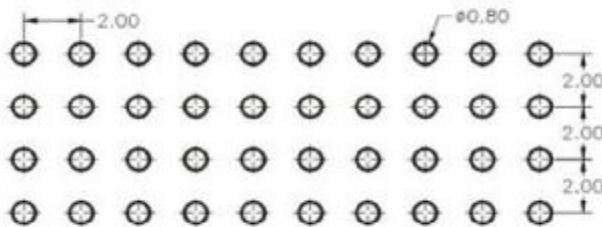
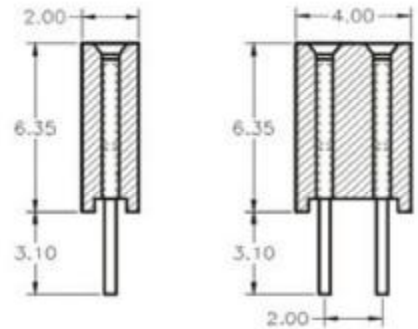
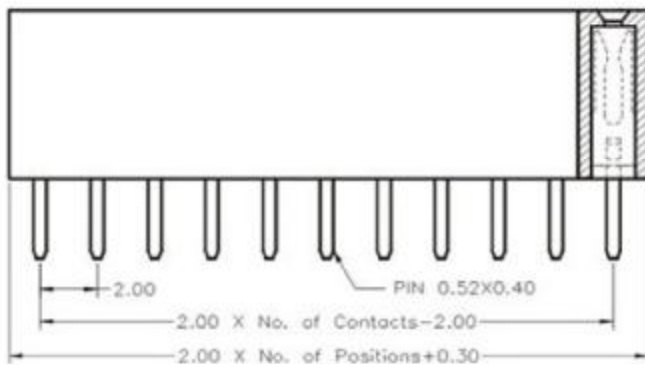
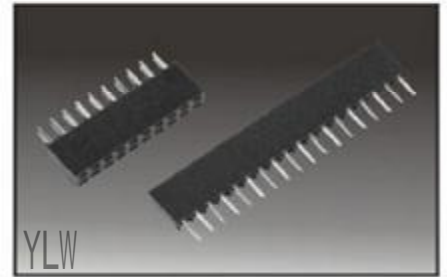
深圳市永连旺电子有限公司

Shenzhen Yonglianwang Electronic CO.,LTD.

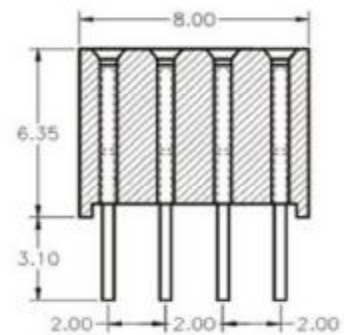
2.00mm Female Header, Single/Dual/Quad Row, Straight

SPECIFICATIONS

Current Rating : 1.5AMP
 Operation Temperature: -40° C to +105° C
 Contact Resistance : 20mΩ Max.
 Insulation Resistance: 1000MΩ Min.
 Withstanding Voltage : AC 500V
 Insulator Material : Polyester (UL94V-0)
 Standard: Nylon-66
 Contact Material : Phosphor Bronze
 Contact plating : Au over 50 uⁿ Ni



PCB LAYOUT



Ordering Information

2 2 63	—	<u>2</u>	<u>XX</u>	S	<u>G0</u>	<u>B</u> Y N 01
		No. of Rows	No. of Pins Per Row	Contact Plating		Material Type
		1=Single Row	02~40	SN : Tin		B: Nylon-66
		2=Dual Row		G0 : Gold Flash		C: Nylon-6T
		3=Triple Row		G2 : 5u ⁿ Gold		D: LCP
		4=Quad Row		G3 : 10u ⁿ Gold		
				G4 : 15u ⁿ Gold		
				G5 : 30u ⁿ Gold		
				S0 : Gold Flash/Tin		
				Standard: G0		

Tel : 86-0755-27367782

Fax : 86-0755-27382610

Http://www.szyLconn.com

E-mail : sales@szyLconn.com

地址: 广东省深圳市宝安区福永街道兴围第一工业区兴华路北第17幢