

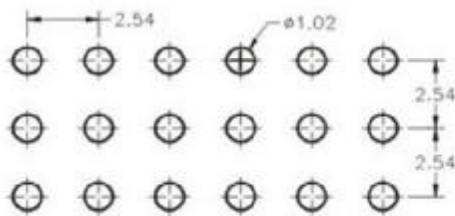
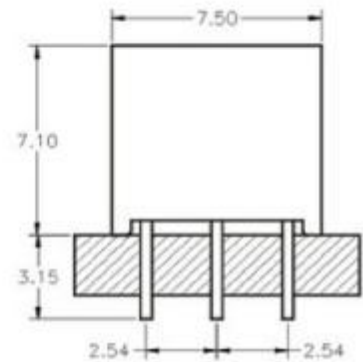
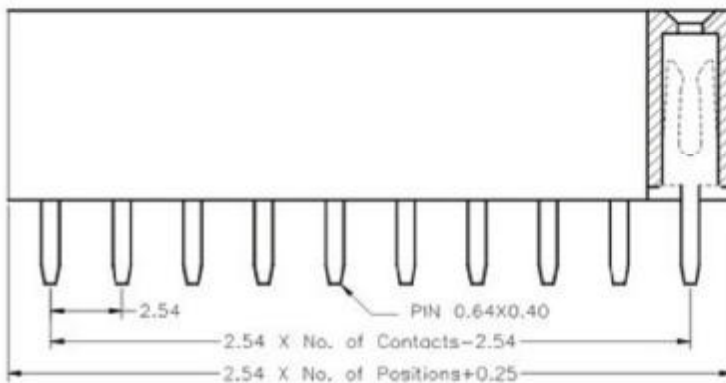
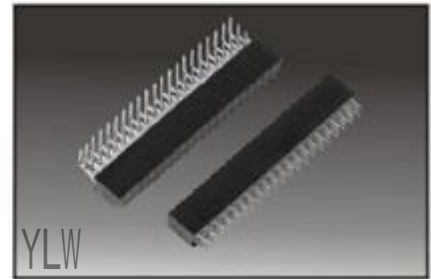
# 深圳市永连旺电子有限公司

## Shenzhen Yonglianwang Electronic CO.,LTD.

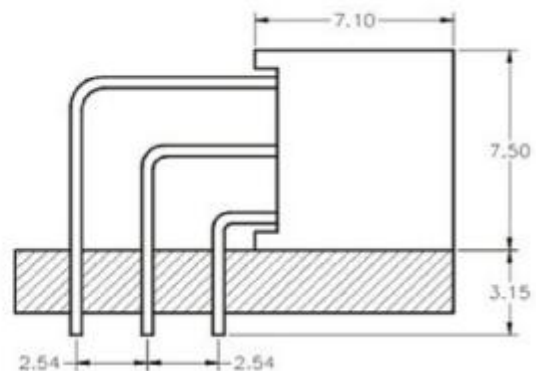
### 2.54mm Female Header, Triple Row, Straight/Right Angle

#### SPECIFICATIONS

Current Rating : 3AMP  
 Operation Temperature: -40° C to +105° C  
 Contact Resistance : 20mΩ Max.  
 Insulation Resistance: 1000MΩ Min.  
 Withstanding Voltage : AC 1000V  
 Insulator Material : Polyester (UL94V-0)  
 Standard: PBT  
 Contact Material : Phosphor bronze  
 Contact plating : Au or Sn over 50u" Ni



PCB LAYOUT



#### Ordering Information

2 1 71 — 3	XX	S	G0	A	Y	N	01
No. of Pins Per Row 02~40		Connector Type S=Straight R=Right Angle	Contact Plating SN : Tin G0 : Gold Flash G2 : 5u" Gold G3 : 10u" Gold G4 : 15u" Gold G5 : 30u" Gold S0 : Gold Flash/Tin Standard: G0	Material Type A: PBT B: Nylon-66 C: Nylon-6T			

Tel : 86-0755-27367782

Fax : 86-0755-27382610

Http://www.szyLconn.com

E-mail:sales@szyLconn.com

地址:广东省深圳市宝安区福永街道兴围第一工业区兴华路北第17幢