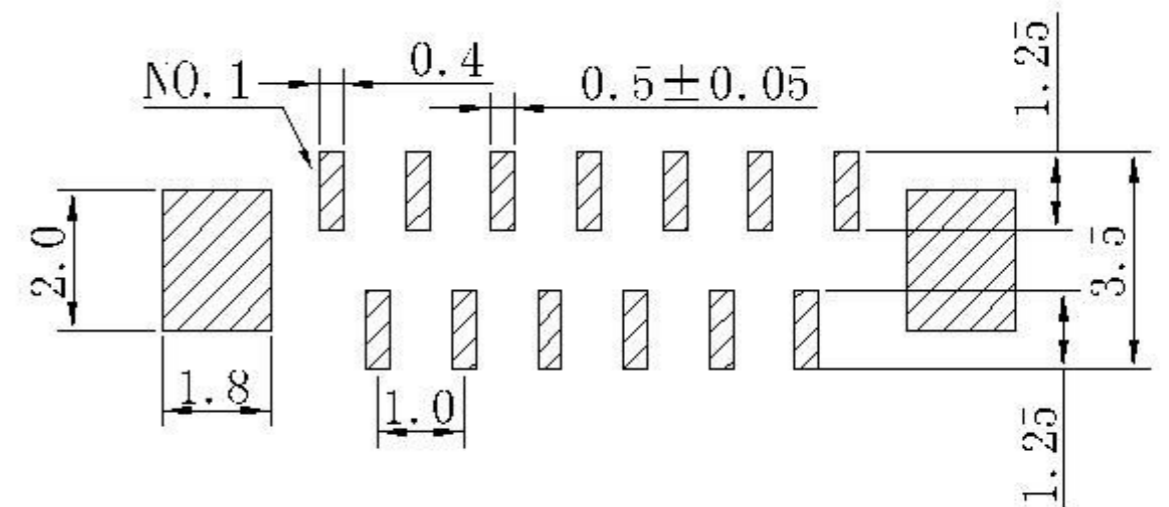
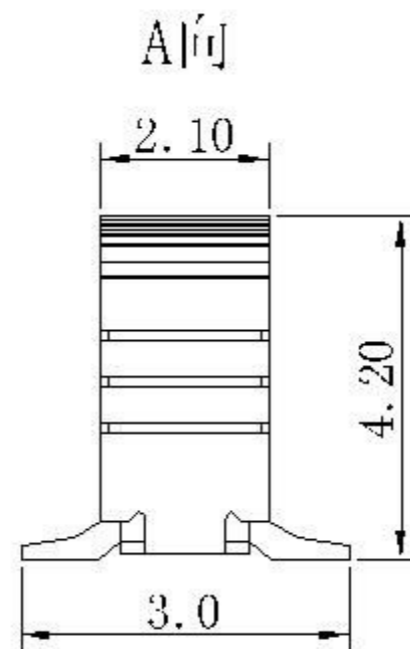
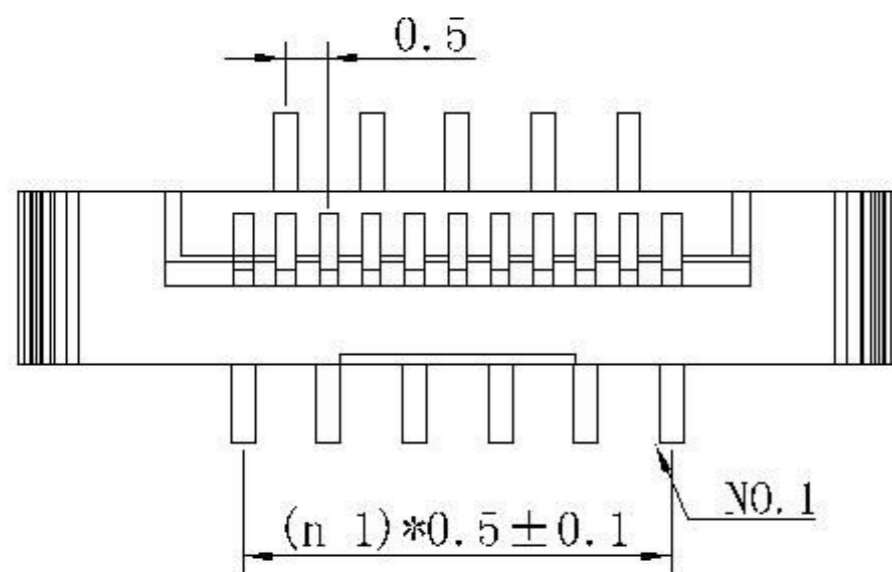


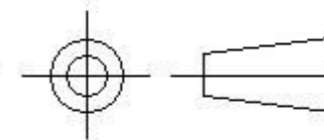
Electrical  
 Voltage:50V  
 Current:0.5A  
 Contact Resistance:20m Ωmax.  
 Dielectric Withstanding Voltage:  
 250V AC/1min.  
 Insulation Resistance:50M Ωmin.  
 Physical  
 Housing:4/6 nylon, UL 94V-0  
 Actuator:PPS ,UL 94V-0  
 contact:Phosphor Bronze  
 Plating:Tin  
 Solder Tabs:  
 Phosphor Bronze, Tin plating  
 Temperature:-20 ° to +85 ° C



深圳市永连旺电子有限公司

FPC/FPC PITCH 0.5mm 错位、主贴、带锁

Customer:	Approval:	Unit	Scale	Date
Drawing No: FJ101	Check:	mm		02.10.09



P NO:

Pin Longer:

Signatuer: