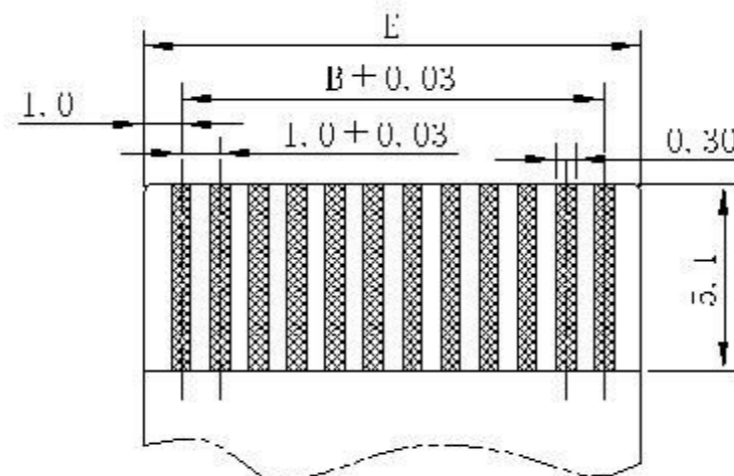
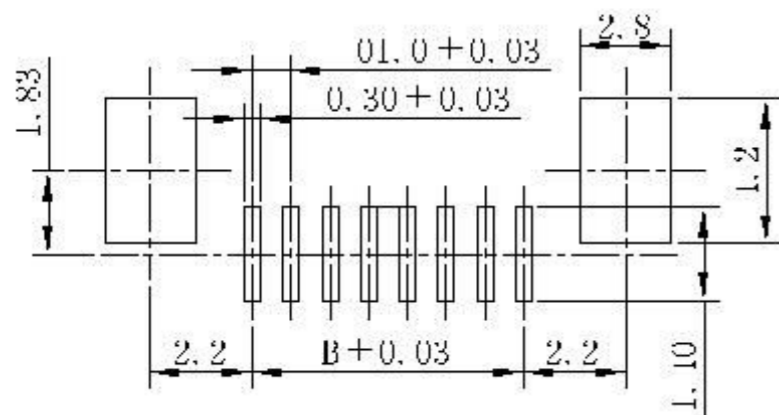


(BOTTOM CONTACT TYPE)



FPC LAYOUT
(THICKNESS: 0.3 ± 0.03)

NOTES

1. MATERIALS

COVER: PPS UL94V-0
HOUSING: LCP UL94V-0
CONTACT: PHOSPHOR BRONZE.

LATCH: PHOSPHOR BRONZE

2. FINISH

CONTACT: 1. TiN/LEAD
90/10, 120u"
LATCH: TiN/LEAD
90/10, 120u"

3. SPECIFICATION

VOLTAGE RATING: 50V
CURRENT RATING: 50V
CONTACT RESISTANCE: 20M OHM MIN
INSULATION RESISTANCE: 100M OHM MIN
TEMPERATURE RANGE: -20° TO 85° C.

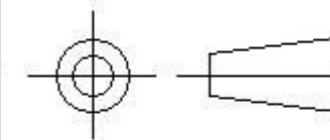
1. THIS PRODUCT IS LOWER CONTACT TYPE CONNECTOR. IN THE PACKAGE ACTUATOR SHOULD BE LOCKED.

P.NO	A	B	C	F	E
8P	15.00	6.95	13.15	14.03	9.00
12P	19.00	10.95	17.15	18.03	13.00
14P	21.00	12.95	19.15	20.03	15.00
16P	23.00	14.95	21.15	22.03	17.00
18P	25.00	16.95	23.15	24.03	19.00
20P	27.05	18.95	25.15	26.12	21.00
22P	29.05	20.95	27.15	26.12	23.00
26P	33.05	24.95	31.15	32.12	27.0
28P	35.05	26.95	33.15	34.12	29.0

深圳市永连旺电子有限公司

FPC PH1.0 上接

Customer:	Approval:	Unit	Scale	Date
Drawing No:	Check:	mm		04.10.23



P NO:

Pin Longer:

Signatuer: