

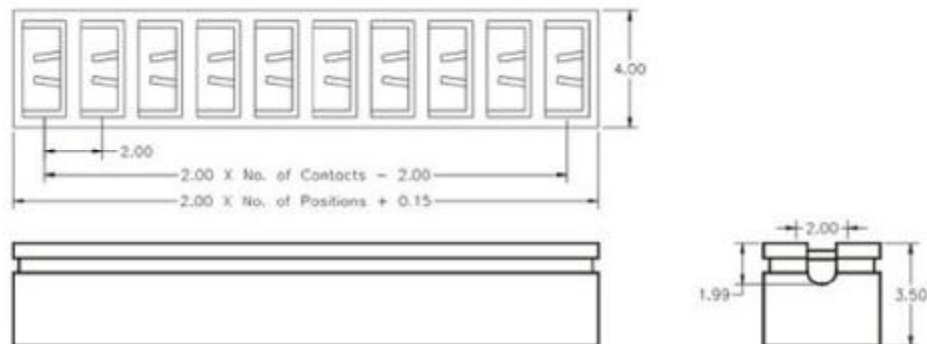
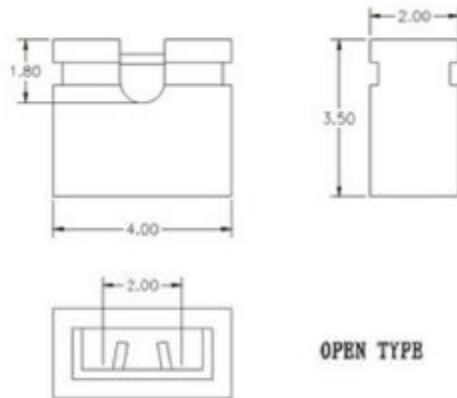
深圳市永连旺电子有限公司

Shenzhen Yonglianwang Electronic CO.,LTD.

2.00mm Mini Jumper

SPECIFICATIONS

Current Rating : 1.5AMP
 Operation Temperature: -40° C to +105° C
 Contact Resistance : 20mΩ Max.
 Insulation Resistance: 1000MΩ Min.
 Withstanding Voltage : AC 500V
 Insulator Material : Polyester (UL94V-0)
 Standard: PBT
 Contact Material : Phosphor bronze
 Contact plating : Au or Sn over 50u" Ni



Ordering Information

37 11	50	01	C	G0	B
Connector Type	Plastics Height	No. of Positions	Function	Contact Plating	Color Type
11=Mini Jumper 21=Parallel Type	35=3.5mm 45=4.5mm 50=5.0mm	01=Single Type 04=(1*4) Parallel Type 10=(1*10) Parallel Type 20=(1*20) Parallel Type	C=Close Type 0=Open Type	SN : Tin G0 : Gold Flash G2 : 5u" Gold G3 : 10u" Gold G4 : 15u" Gold G5 : 30u" Gold S0 : Gold Flash/Tin Standard: G0	B=Black U=Blue R=Red W=White Y=Yellow G=Grey

Tel : 86-0755-27367782

Fax : 86-0755-27382610

Http : //www.szyLconn.com

E-mail : sales@szyLconn.com

地址 : 广东省深圳市宝安区福永街道兴围第一工业区兴华路北第17幢